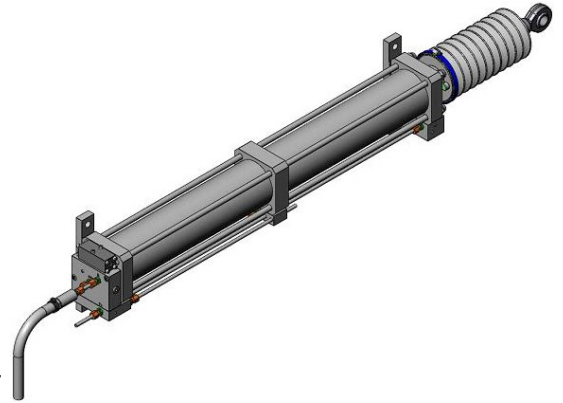


PNEUMATIC SHOWER PIPE OSCILLATOR

PNEUMATIC OSCILLATING ACTUATOR WITH INTEGRATED CONTROLS



Benefits

- Designed to be installed inside a vacuum roll of a paper machine
- All metal parts in contact with ambient AISI316 / 1.4401
- No electric connections needed
- All pneumatic connections at the rear end
- Long service intervals

TECHNICAL DETAILS

Ambient temperature range	+5...+120°C
Min. speed	5 mm/s
Thrust force	4,2 kN