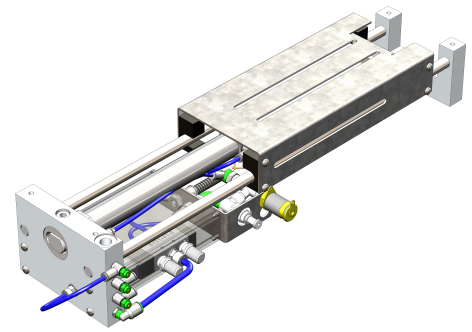


# ACTUATOR FOR THERMAL CAMERA OSCILLATION



## Benefits

- Designed to perform slow but smooth motion
- Pneumatic and hydropneumatic versions available
- Compact design
- Housing available
- Air blow to cool lenses of camera

## TECHNICAL DETAILS

Speed range

1... 32 mm/s (hydropneumatic)